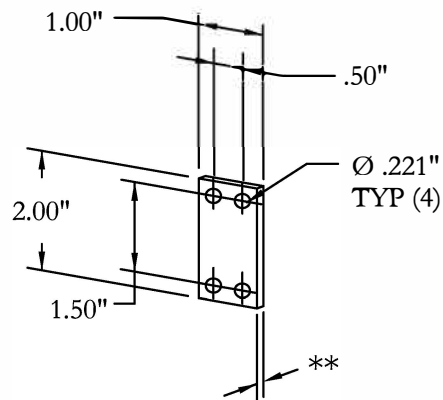


Mini Inline 3 Hanger with Fiberglass Springs

Models: 7-180 (120VAC) & 7-183 (240VAC)

Mini Multi-Hanger Inline Coil
 120 VAC = P/N 6-42-115
 240 VAC = P/N 6-42-128

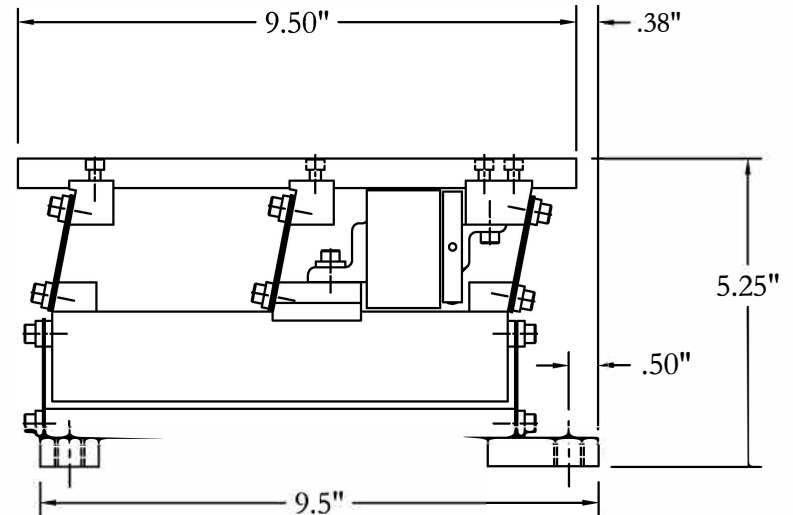
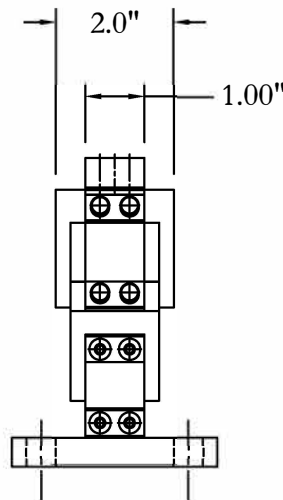
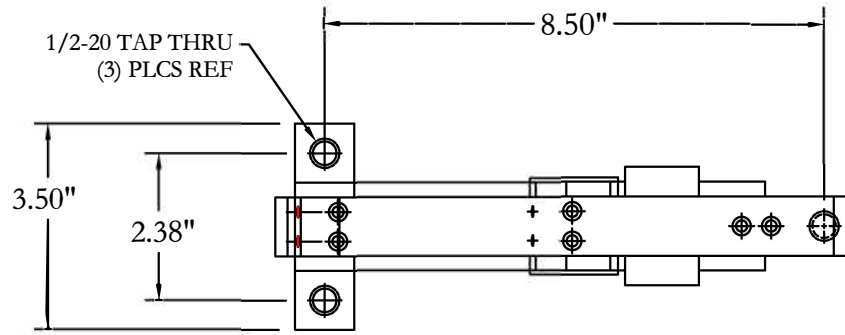


Mini Multi-Hanger Inline Fiberglass Springs
 ** .062" Thk = P/N 90-1-19
 .093" Thk = P/N 90-1-20

Coils:
 120 VAC: P/N 6-42-115
 240 VAC: P/N 6-42-128
 Jack Screw: P/N 8-65-02

Springs:
 Upper = P/N 90-1-19 = .062" Thk
 Lower = P/N 90-1-20 = .093" Thk
 Spacer: P/N 88-3-119

Drawing has no scale



Models 7-180 & 7-183
 Max Track Length: 14.75"

Track weight limitations: 5 pounds maximum
 Height Adjustment Using Jack Screws: 5.875" to 7.25"
 Electrical power: 7-180: 120VAC, 50/60 Hz, .5 Amps
 7-183: 240VAC, 50/60 Hz, .25 Amps
 Unit Weight: 11 lbs



Rodix, Inc. 2316 23rd Ave.
 Rockford, IL 61104-7337
 Ph. (800) 562-1868 Fax (815) 316-4701
 www.rodix.com